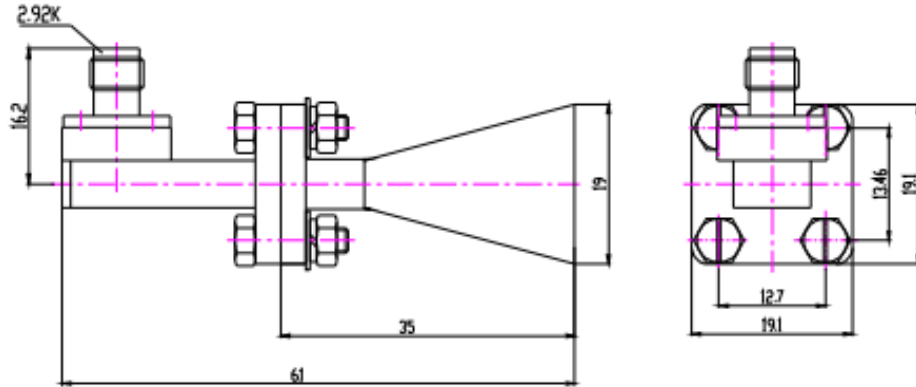


## Standard Gain Horn Antenna-26.3-40 GHz, SRFS320SGAH15+2.92K



Mechanical Specifications	
Waveguide type	WR28
Material	Copper
Connector type	2.92mm Female
Inside finish	Silver Plating
Outside finish	Anticorrosion grey paint
Electrical Specifications	
Frequency Range	26.3-40 GHz
VSWR (Max)	1.50
Gain(Avg)	15dB